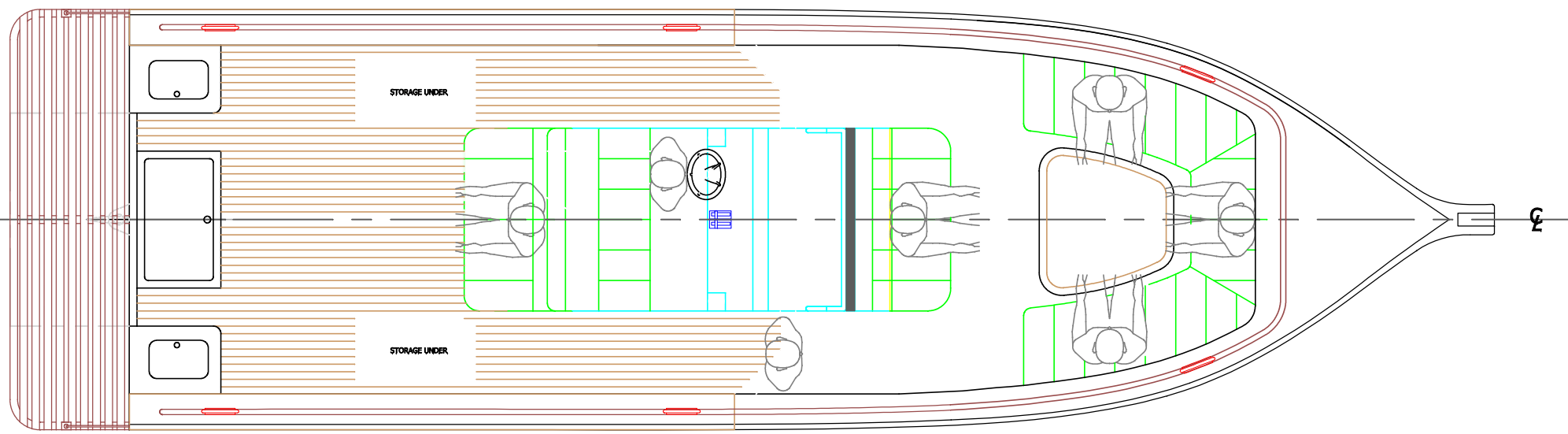
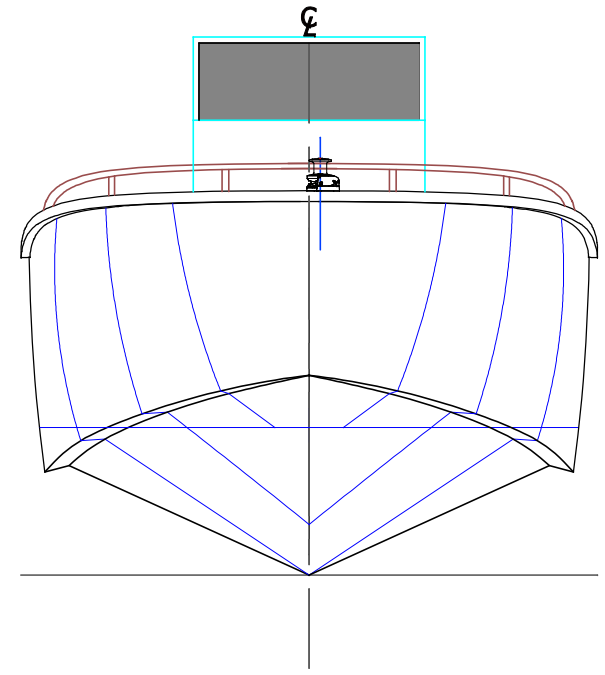
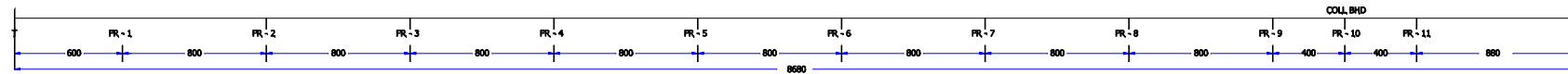
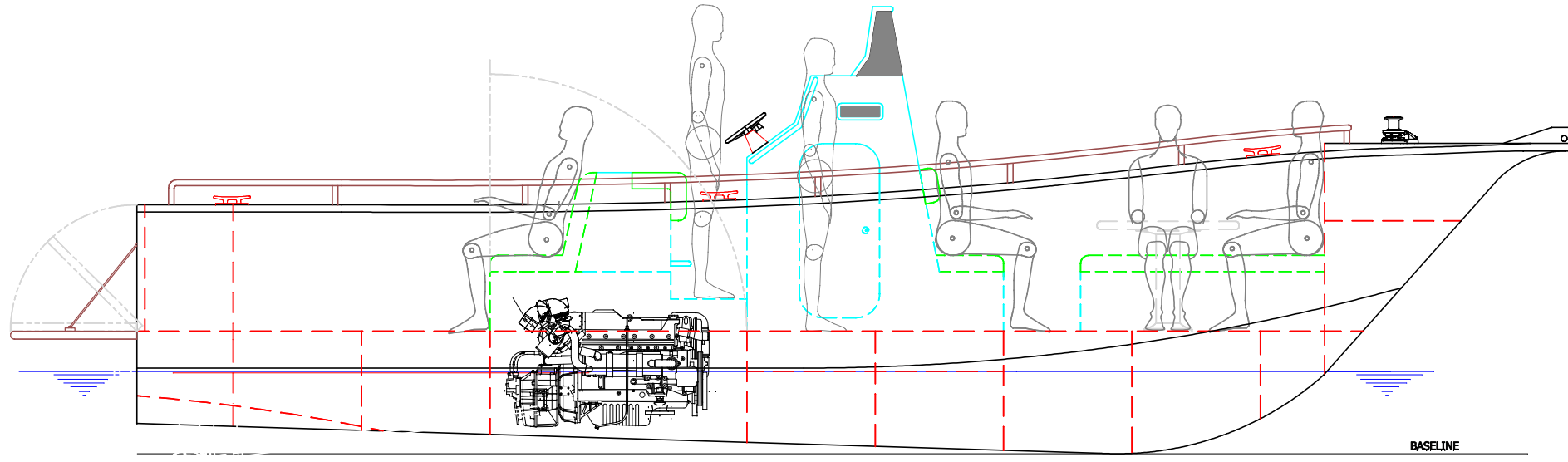
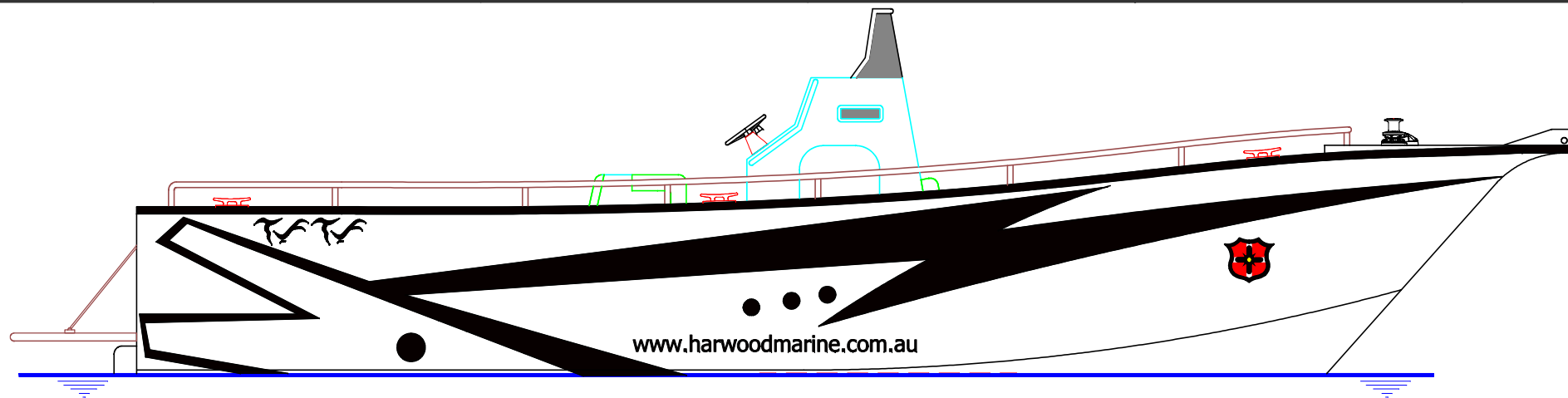


|                                |           |                              |                  |
|--------------------------------|-----------|------------------------------|------------------|
| Length LO/A                    | : 8.68 m  | Bottom Plate                 | : mm             |
| Length LW.                     | : 6.94 m  | Chine Plate                  | : mm             |
| Beam, B                        | : 2.74 m  | Side Plate                   | : mm             |
| Depth, d                       | : 0.763 m | Transom                      | : mm             |
| Fuel                           | :         | Gunwale                      | : mm             |
| Displacement, D <sub>LS</sub>  | : kg      | Main Deck                    | : mm             |
| Draft, T <sub>LS</sub>         | : mm      | Material                     | : 5083 Aluminium |
| Displacement, D <sub>DWL</sub> | : kg      | Speed, V <sub>CRUISING</sub> | : - knots        |
| Draft, T <sub>DWL</sub>        | : 406 mm  | Speed, V <sub>MAX</sub>      | : - knots        |



|          |            |              |  |  |  |  |  |  |  |
|----------|------------|--------------|--|--|--|--|--|--|--|
| APPROVED | SB         |              |  |  |  |  |  |  |  |
| CHECKED  | AP         |              |  |  |  |  |  |  |  |
| DRAWN    | JA         |              |  |  |  |  |  |  |  |
| ISSUE    | DATE       | MODIFICATION |  |  |  |  |  |  |  |
| C        | 04/08/2010 | PRELIMINARY  |  |  |  |  |  |  |  |

UNLESS OTHERWISE SPECIFIED DIMENSIONS ARE IN MILLIMETERS  
 GENERAL TOLERANCE ± 1.0MM & ± 1 DEGREE, UNLESS OTHERWISE STATED

**PRIVATE AND CONFIDENTIAL**  
 THIS DRAWING IS CONFIDENTIAL AND MUST NOT BE USED FOR MANUFACTURE OR COPIED OR COMMUNICATED TO ANY OTHER PERSON OR COMPANY WITHOUT THE EXPRESS PERMISSION OF HARWOOD SLIPWAY & ENGINEERING

**HARWOOD MARINE**  
 162-164 River Road, Harwood Island NSW 2465 Australia  
 Tel: +61 (02) 6646 4222 Fax: +61 (02) 6646 4472  
 Email: info@harwoodmarine.com.au  
 www.harwoodmarine.com.au

**CEBU OFFICE**  
 Mezzanine 1  
 Don Alfredo Gothong Centre,  
 North Reclamation Area, Cebu  
 City 6000, Philippines  
 Tel.: +63 32 236 0212

|              |                            |        |      |
|--------------|----------------------------|--------|------|
| TITLE:       | <b>GENERAL ARRANGEMENT</b> |        |      |
| DRAWING NO.: | 1005-01-01                 |        |      |
| PROJECT:     | 8.7m ALUMINIUM BOAT        |        |      |
| DATE:        | 04/08/2010                 | SCALE: | 1:40 |
| SHEET:       | 1 / 1                      |        | A3   |